


SF5P-HM

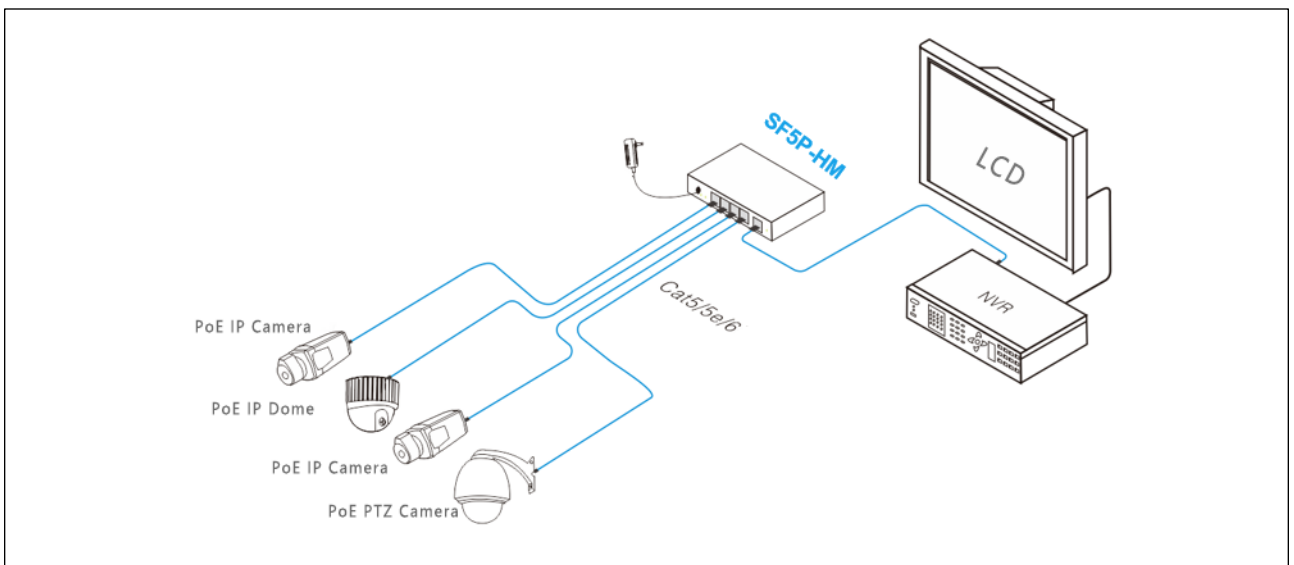


- Provide 4*10/100Base-TX PoE + 1*10/100Base-TX RJ45
- IEEE802.3af/at, with PoE power budget of 60W
- Three operating modes (Default, VLAN, CCTV)
- Supports PoE watchdog under VLAN and CCTV mode. It improves the online rate of cameras.
- Support 6KV surge immunity, 8KV ESD protection
- Support desktop and wall mount installation
- Plug and play, no need more configuration 

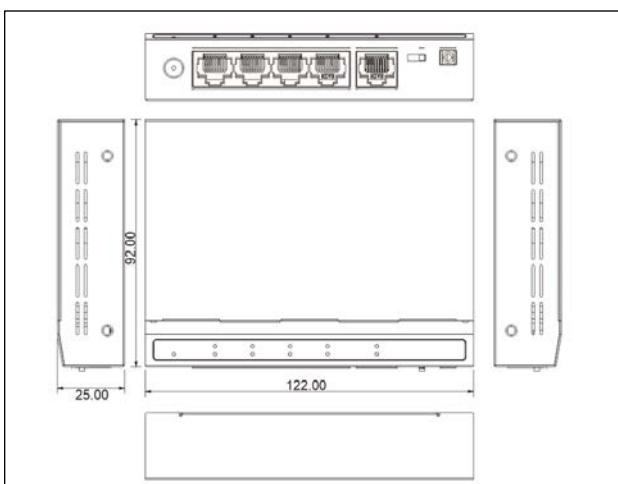
Overview

SF5P-HM, unmanaged PoE switch, provides 4*10/100Base-TX PoE ports + 1*10/100Base-TX RJ45 port. Max PoE power output for single port is 30W, the total PoE power budget is 60W. Equipped with function of three operating modes(Default, VLAN, CCTV), the switch supports PoE watchdog under VLAN and CCTV, and it improves the online rate of cameras.

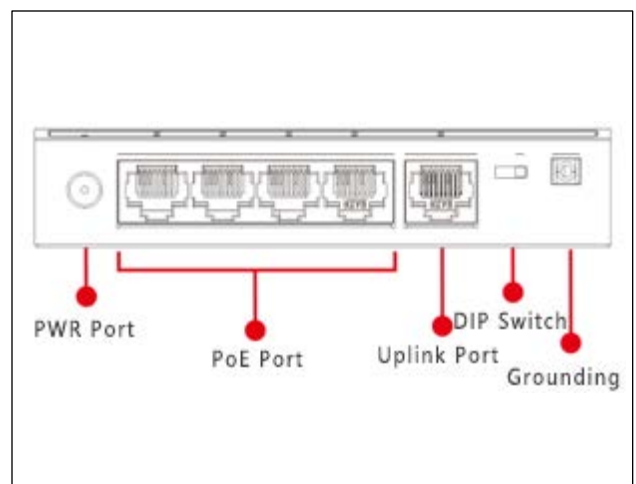
Application



Physical Features



Interface drawing



Specification

Model	SF5P-HM
Downstream Ports	4*10/100Base-TX PoE
Uplink Ports	1*10/100Base-T RJ45
Network Standard	IEEE802.3, IEEE802.3u, IEEE802.3X
Switch Capacity	1Gbps
Throughput	0.724Mpps
Switch Processing Scheme	Store and Forward
Memory Buffer	448 Kbits
MAC Table	1K
DIP Switch	Default: All port can be communicated freely. VLAN: Port 1-4 are isolated respectively, but can communicate with Port 5, support PoE Watchdog CCTV: Port 1-4, 10M, with long transmission distance of 250 meters, support PoE watchdog
PoE Standard	802.3af/at(PSE)
PsE Type	End-span
Power Pin Assignment	1/2(+), 3/6(-)
PoE Power Output	Max PoE power output for single port is 30W (DC52V) Total PoE power budget is 60W
Lightning protection	6KV Execute: IEC61000-4-5
ESD	6KV Contact discharge 8KV Air discharge Execute: IEC61000-4-2
Power Supply	DC 52V 1.2A
Power Consumption	<63W
Work Temperature	-10°C~50°C
Storage Temperature	-40°C~85°C
Humidity (Non-condensing)	5%-95%
Dimension (L*W*H)	122*92*25mm
Weight	343g
Certification	CE, FCC, ROHS

Package List

Designation	Quantity
PoE Switch	1
Power Adapter	1
User Manual	1

Related Products

Designation	Model
6 Ports 10/100Mbps Unmanaged PoE Switch	SF6P-HM
9 Ports 10/100Mbps Unmanaged PoE Switch	SF9P-HM